

This manual is for reference and historical purposes, all rights reserved.

This creation is copyright© by M. Butkus, NJ, U.S.A.

These creations may not be sold or distributed without the expressed permission of the producer

I have no connection with any camera company

On-line camera manual library

If you find this manual useful, how about a donation of \$2 to:

M. Butkus, 29 Lake Ave., High Bridge, NJ 08829-1701

and send your e-mail address so I can thank you.

Most other places would charge you \$7.50 for a electronic copy or

\$18.00 for a hard to read Xerox copy.

This will allow me to continue this site, buy new manuals and pay their shipping costs.

It'll make you feel better, won't it?

If you use Pay Pal, go to my web site

www.orphancameras.com and choose the secure PayPal donation icon.

Vivitar

283 Electronic Flash

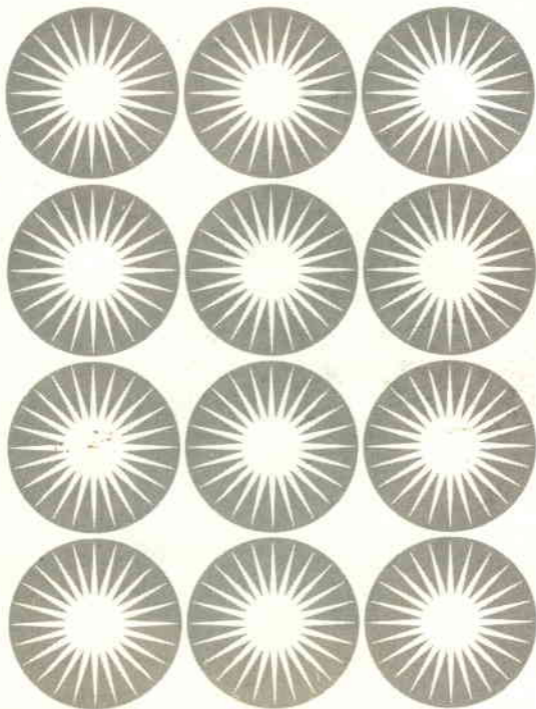
283 Elektronenblitz

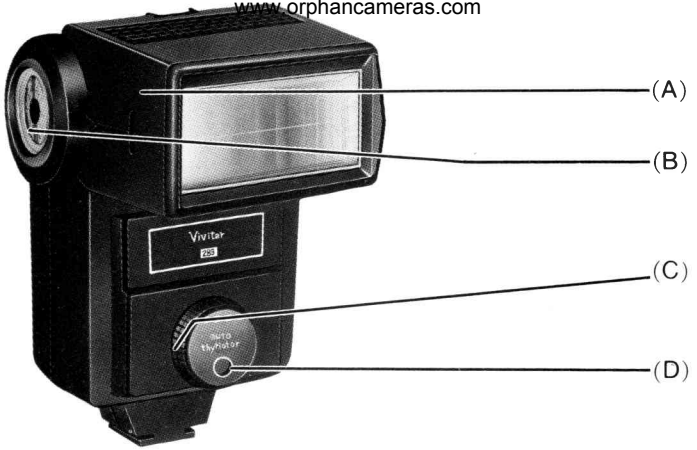
Flash électronique 283

Flash electrónico 283

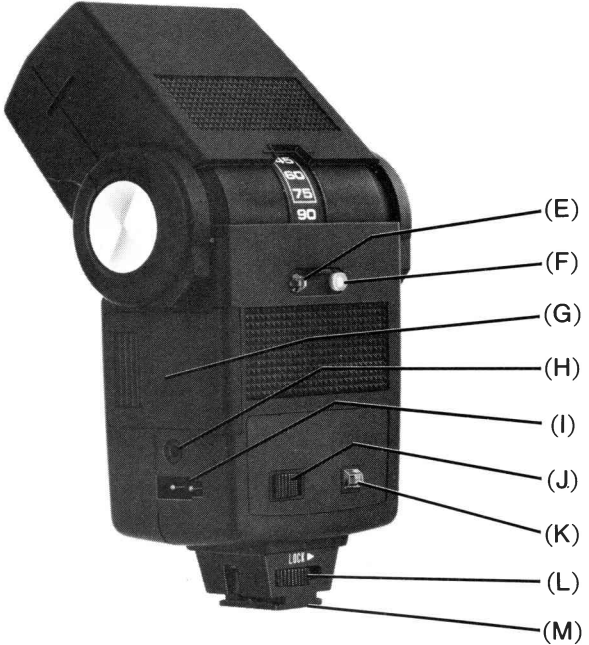
WYANDOTTE MI
FELDMAN CAMERA

Pocket Flash
Taschenleuchte
Mode d'emploi
Libreta de Instrucciones





Shutter Cord
Verschluss-Drahtauslöser
Cordon déclencheur
Cordón del obturador



- (A) **Tilting Flash Head**—Flash head (45° vertical and 60° horizontal) covering camera lenses up to 35 mm inclines to various positions for bounce flash. BCC (Bounce Compensator Circuitry) provides extra power for bounce flash at 45°, 60° or 75° positions.
- (B) **Calculator Dial**—Handy reference for figuring flash exposures. Color-coding on dial indicates approximate auto ranges. Press Dial Light Button (F) to illuminate.
- (C) **Range Selector**—Four color-coded auto ranges correspond with Calculator Dial for auto operation, plus "M" for manual operation.
- (D) **Sensor**—For automatic operation. Measures light during exposure. Ensure nothing covers or obstructs sensor.
- (E) **Sufficient Light Indicator**—For checking lighting before actually taking picture. Press Open Flash Button (K). If indicator light becomes green, sufficient light for picture. (Indicator does not operate when using flash in manual "M.")
- (F) **Dial Light Button**
- (G) **Battery Compartment Cover**—Slides back. Battery holder inside.
- (H) **Shutter Cord Socket**
- (I) **AC Adapter Receptacle**—(Vivitar SB-4 AC Adapter is optional accessory.)
- (J) **On-Off Switch**—RED color indicates "on."
- (K) **Ready Light/Open Flash Button**—Dual purpose. For maximum power/range, wait for Ready Light to start *blinking* before taking picture. Pressing Open Flash Button fires flash without activating camera.
- (L) **Mounting Foot Lock Lever**
- (M) **Mounting Foot**—(Built-in hot shoe contact.)

Power Sources

Your flash will operate with any of the following power sources:

Alkaline batteries

Four 1.5v size AA. Provide 75 flashes in manual, up to 800 in automatic. Recycle time 0.5 to 11 seconds.

NiCad batteries www.orphancameras.com
Four size AA, rechargeable type. Provide 45 flashes in manual, up to 750 in automatic. Recycle time 0.5 to 6 seconds.

Vivitar LVP-2 Low Voltage Battery Pack (optional accessory)

Portable unit with shoulder strap. Uses four size D alkaline or NiCad batteries. Provides up to 600 flashes with alkaline batteries, up to 100 with NiCads. Recycle time 0.5 to 8 seconds.

Vivitar NC-3 NiCad Battery Pack & Vivitar Charge 15 (optional accessories)

Battery pack charges in about 15 minutes with Vivitar Charge 15. Provides up to 50 flashes per charge. Recycle time 0.5 to 5 seconds.

Vivitar SB-4 AC Adapter (optional accessory)

Enables you to operate flash from electrical outlets. Recycle time 10 seconds.

Note: Number of flashes and recycle times in auto modes determined by flash-to-subject distance, room reflectivity, auto f-stop used, and type and condition of batteries.

Additional battery information

There are some simple procedures to follow for getting the most out of your flash and batteries. First, always turn your unit off right after you've finished using it. Also, when storing your flash for a period of time, remove the batteries to prevent damage from battery corrosion.

Replace the batteries when the Ready Light fails to glow after 30 seconds, or when you can't hear the high-pitched sound after the flash is switched on.

Automatic Operation

- 1**—Load batteries (G). Batteries must be inserted correctly for flash to operate.
- 2**—Turn flash "ON" (J).
- 3**—(This step required only when flash is new or hasn't been used for several weeks.) "Form" capacitor. After Ready Light (K) comes on, fire flash by pressing Open Flash Button (K). Repeat procedure 5 times.
- 4**—Rotate Calculator Dial (B) and set at film speed (ASA or DIN).
- 5**—Select color-coded auto range. (Approximate distances indicated on dial.) **IMPORTANT:** Stay within range selected when taking pictures.

(Continued on other side)

- Yellow** \lfloor _____ 5 to 43 ft. _____ \rfloor
- Red** \lfloor _____ 4 to 30 ft. _____ \rfloor
- Blue** \lfloor _____ 2 to 15 ft. _____ \rfloor
- Purple** \lfloor _____ 2 to 11 ft. _____ \rfloor

6—Set Range Selector (C) to corresponding color.

7—Set camera lens to f-stop number above color-code selected on dial. Set camera to correct shutter speed for synchronization with electronic flash. (Refer to camera owner's manual.)

8—Unlock Mounting Foot Lock Lever (L) . Mount flash on camera and lock lever. (If camera does not have hot shoe, attach Shutter Cord.)

9—Check camera focus, wait for Ready Light, take picture.

Manual Operation

1—Set Range Selector (C) to "M."

2—Find guide number for film you're using.

Guide numbers (ASA-Feet):

ASA Film Speed	25	64	80	100	125	160	200	400	800
Flash Guide No.	60	96	108	120	135	150	170	240	340

Guide numbers (DIN-Meters):

DIN Film Speed	15	19	20	21	22	23	24	27	30
Flash Guide No.	18	29	32	36	40	45	51	72	100

3—Compute f-stop using following standard formula:

$$\frac{\text{guide number}}{\text{flash-to-subject distance}} = \text{camera lens f-stop setting}$$

Other Accessories Available

Variable Angle Lens Kit—Allows you to vary angle of illumination of your flash to match angle of coverage of your camera lens. Kit includes four lenses: two wide-angle, two telephoto. Includes carrying case. Requires optional Vivitar Lens/Filter Adapter.

Flash Filter Kit—Allows you to vary color and intensity of flash illumination for expanding range of creative alternatives. Kit includes six filters. Carrying case also. Requires optional Vivitar Lens/Filter Adapter.

Quick Release Pistol Grip—For off-camera flash photography. Flash shoe rotates 360°. Adjustable strap. Use with optional Vivitar 35mm or 6 x 6 camera bracket.

Soft Light/Bounce Diffuser—Lightweight holder. Snaps onto 283. For convenient bounce light portraits and still lifes.

VP-1 Varipower Module—Provides continuously variable manual flash power. Conveniently indexed with dial markings at Full, 1/2, 1/4, 1/8, 1/16 and 1/32 power.

SL-2 Remote Flash Trigger—Wireless trigger for automatically firing remote flash units in multiple light set-ups. Shoe rotates 360°.

PC-31 3-Foot Coiled Shutter Cord

1.2 Meter Remote Sensor Holder & Cord

C-1 Soft Pouch Case

Specifications subject to change without notice

Vivitar®

is an international Trademark of Vivitar Corporation
Santa Monica, CA 90406 USA

10/77 Printed in Japan, Part No. 300363
Gedruckt in Japan, Bestellnr. 300363
Imprimé au Japon, No. de pièce 300363
Impreso en el Japón, Pieza No. 300363